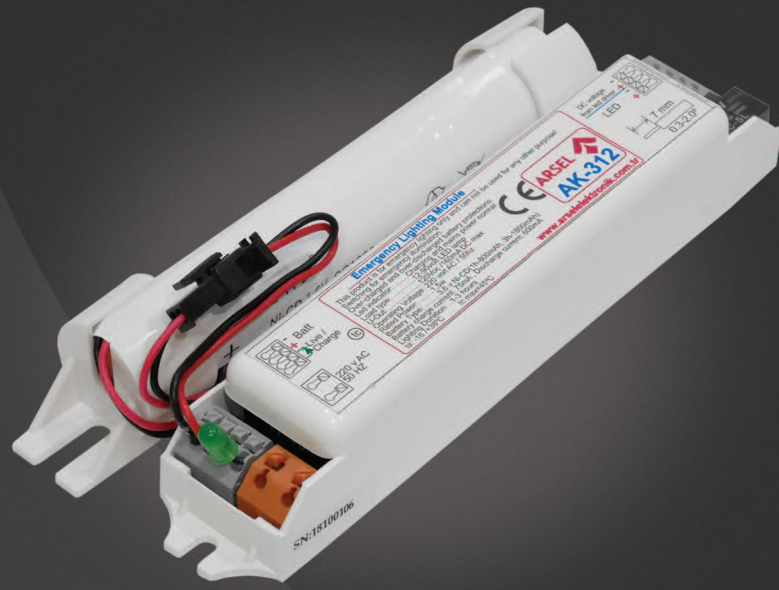


EMERGENCY LIGHTING AND ORIENTATION SYSTEMS

ARSEL 



AK-312 EMERGENCY BATTERY PACK FOR LED'S

- Emergency backup units for LED lamps
- It can be used with an armature mounted inside or with an external box.
- Supplied with Ni-Cd Battery.

AK-312 model emergency backup modules;

- The LED is connected between the driver and the led panel.
- It can switch the maximum 2 a dc led current.
- 3,6 volt ni-cd battery, are plug-in type terminals.
- It should be installed inside the armature or in the external box.
- It does not have standard output current, special production according to lamp, backup time and lamp safety are provided in this way.
- Provides power failure backup for LED lamps.
- Battery charging indicator.
- The lamp's 2 connections are switched at once.
- With fully insulated supply circuit and the lamp contacts, there is no damage due to the different phase connections.
- Continuous charging method keeps the battery pack full and ready.
- Appropriate kit should be selected according to the lamp.
- Plug-in type latching type terminals are used for easy installation.
- The mains supply voltage is standard 220 volts AC 50 Hz.
- Charging time for first use is 24 hours.
- It can withstand fluctuations up to 285 volts at mains voltage.
- Switches to emergency lighting mode under 150 volts, charging over 185 volts
- It is manufactured according to TS 8710 EN60598-2-22 standard in the framework of ISO 9001-2000 quality management system.

USAGE AREAS

- LED lighting fixtures
- Emergency lighting and guidance fittings
- Waterproof type LED lighting fixtures
- Special design led lighting fixtures
- Recessed type luminaires

BODY STRUCTURE

- Body - Electrostatic powder coated aluminum case. ABS plastic covers.

BATTERY

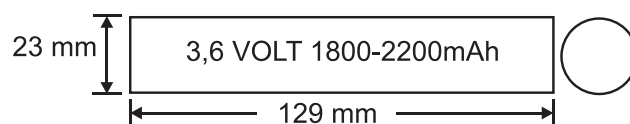
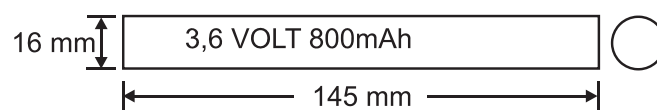
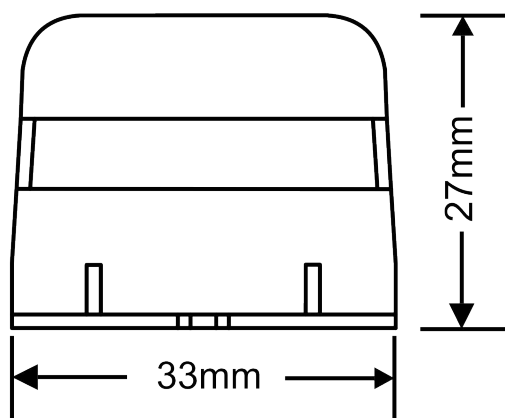
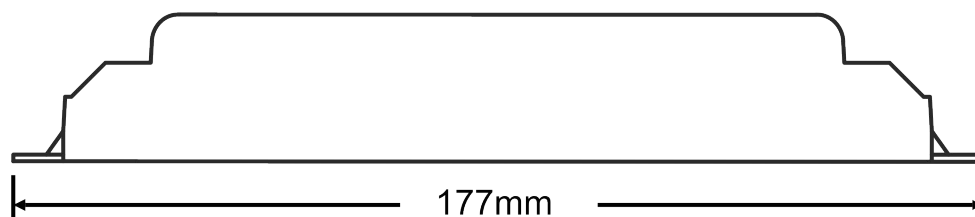
- BATTERY - Nickel-cadmium in all models
- ### OPTIONS
- Model choices according to lamp type and power
 - 1-2-3 hour emergency backup times



EMERGENCY BACKUP UNITS FOR LED LAMPS

MODEL CODE	LIGHTING STYLE	USAGE TYPE	LAMP	DURATION	BATTERY	WEIGHT (Batt inc.)	IP CLASS	ISOLATION CLASS	OPERATION TEMP	POWER CONSUMPTION	OPERATING VOLTAGE
AK-360-1	Non-Maintained	Internal	3-50 volt led lamp	Emergency 60 m.	3 cell AA size	0,28kg	30	I	-16/+40°	1,5 watt	220-240
AK-360-3	Non-Maintained	Internal	3-50 volt led lamp	Emergency 180 m.	3 cell SC size	0,35kg	30	I	-16/+40°	1,5 watt	220-240
AK-390-1	Non-Maintained	Internal	50-90 volt led lamp	Emergency 60 m.	3 cell AA size	0,28kg	30	I	-16/+40°	1,5 watt	220-240
AK-390-3	Non-Maintained	Internal	50-90 volt led lamp	Emergency 180 m.	3 cell SC size	0,35kg	30	I	-16/+40°	1,5 watt	220-240
AK-3300-1	Non-Maintained	Internal	90-300 volt led lamp	Emergency 60 m.	3 cell AA size	0,28kg	30	I	-16/+40°	1,5 watt	220-240
AK-3300-3	Non-Maintained	Internal	90-300 volt led lamp	Emergency 180 m.	3 cell SC size	0,35kg	30	I	-16/+40°	1,5 watt	220-240
AK-4600-1	Non-Maintained	Internal	3,5-70 volt led lamp	Emergency 60 m.	4 cell AA size	0,27kg	30	I	-16/+40°	1,5 watt	220-240
AK-4600-3	Non-Maintained	Internal	3,5-70 volt led lamp	Emergency 180 m.	4 cell SC size	0,37kg	30	I	-16/+40°	1,5 watt	220-240
AK-7200-1	Non-Maintained	Internal	3,5-200 volt led lamp	Emergency 60 m.	6 cell AA size	0,33kg	30	I	-16/+40°	1,5 watt	220-240
AK-7200-2	Non-Maintained	Internal	3,5-200 volt led lamp	Emergency 120 m.	6 cell SC size	0,5kg	30	I	-16/+40°	1,5 watt	220-240
AK-7200-3	Non-Maintained	Internal	3,5-200 volt led lamp	Emergency 180 m.	6 cell SC size	0,5kg	30	I	-16/+40°	1,5 watt	220-240
AK-609W-1	Non-Maintained	Internal	110-220 volt AC led lamp	Emergency 60 m.	5 cell SC size	0,45kg	30	I	-16/+40°	3,5 watt	220-240
AK-609W-2	Non-Maintained	Internal	110-220 volt AC led lamp	Emergency 120 m.	5 cell D size	0,75kg	30	I	-16/+40°	3,5 watt	220-240
AK-4600S-1	Non-Maintained	Internal	3,5-70 volt led lamp	Emergency 60 m.	6 cell AA size	0,27kg	30	I	-16/+40°	1,5 watt	220-240
AK-4600S-3	Non-Maintained	Internal	3,5-70 volt led lamp	Emergency 180 m.	6 cell AA size	0,30kg	30	I	-16/+40°	1,5 watt	220-240
AK-4600S-EKO	Non-Maintained	Internal	12-65 volt led lamp	Emergency 180 m.	6 cell AA size	0,27kg	30	I	-16/+40°	1,5 watt	220-240
AK-2400	Non-Maintained	Internal	220 volt <25w lamp	-		0,5kg	30	I	-16/+40°	1,5 watt	220-240

DIMENSIONS



AK-312 BATTERIES